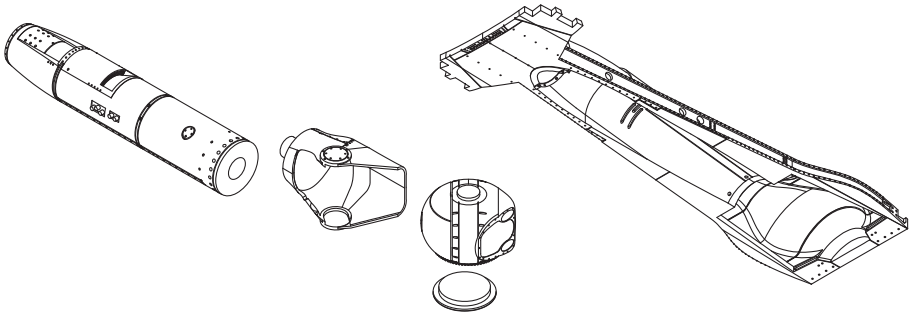


AN/AVQ-26 "PAVE TACK"



AN/AVQ-26 PAVE TACK POD

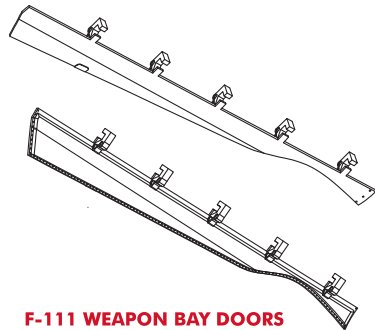
CRADLE FOR F-111F



ECS CONNECTION HOSES



ECS SCOOPS



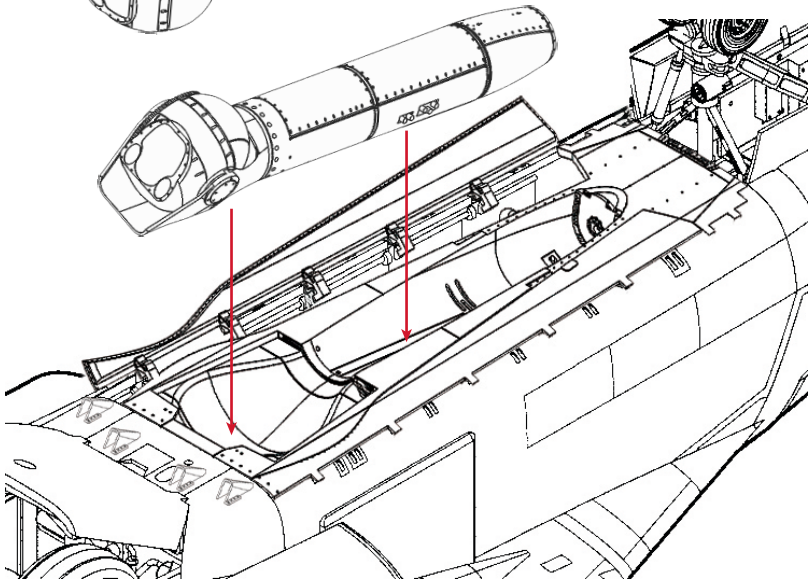
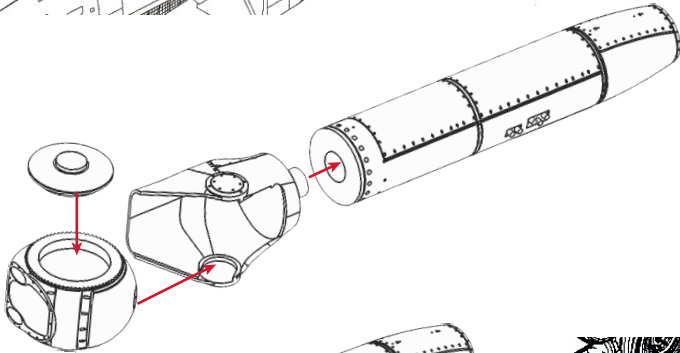
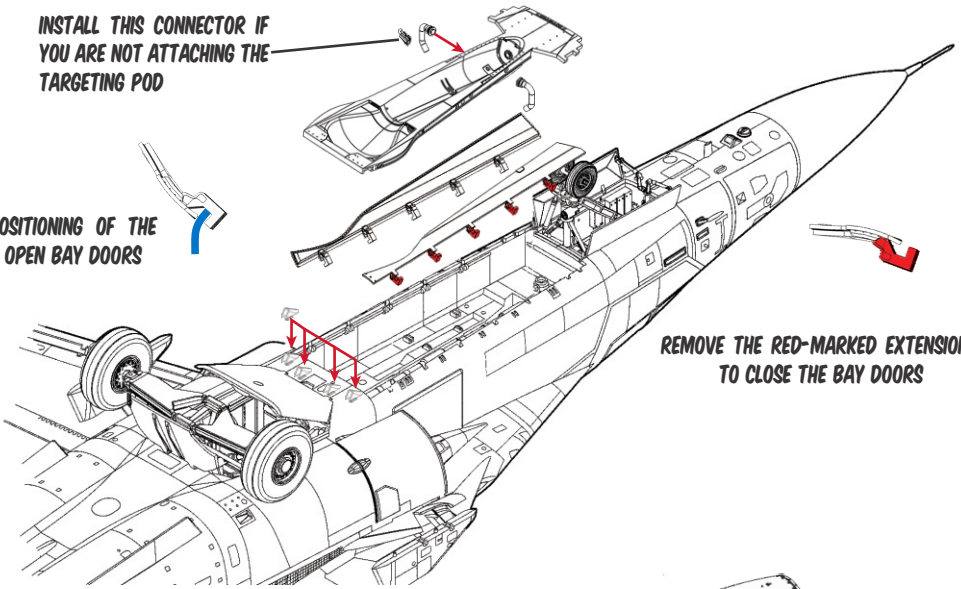
F-111 WEAPON BAY DOORS

**3D PRINTED DETAIL PARTS
DESIGNED FOR THE HOBBY BOSS KITS
1/48 SCALE**

INSTALL THIS CONNECTOR IF YOU ARE NOT ATTACHING THE TARGETING POD

POSITIONING OF THE OPEN BAY DOORS

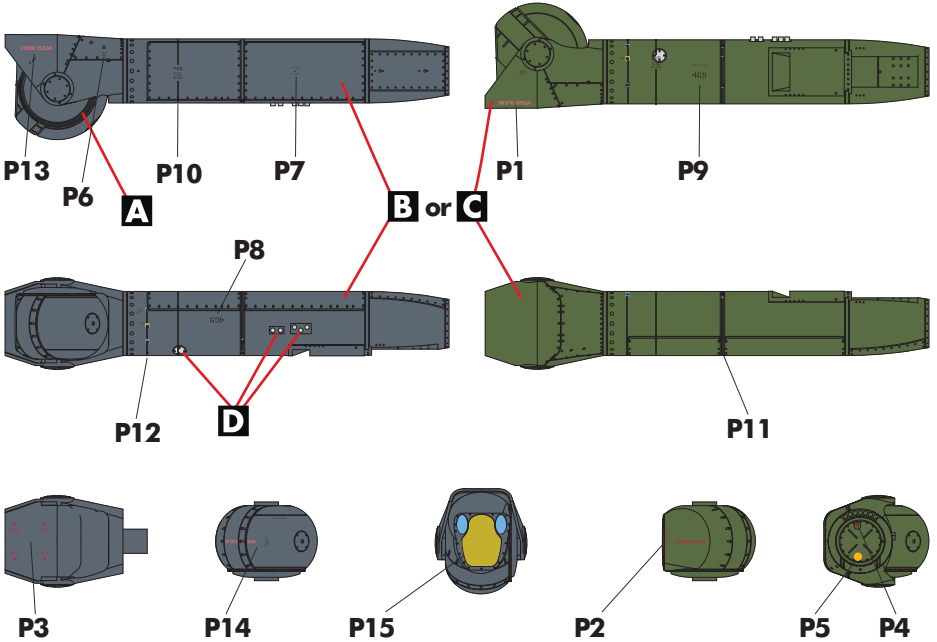
REMOVE THE RED-MARKED EXTENSIONS TO CLOSE THE BAY DOORS



DECAL PLACEMENT

WHILE THIS SET DOES NOT COME WITH DECALS, YOU CAN FIND THESE MARKINGS ON OUR F-111D/E/F STENCILLING SET (CDB48017)

THE INFORMATION BELOW IS FOR CARACAL MODELS CDB48017:



CARACAL MODELS WOULD LIKE TO THANK

JIM ROTRAMEL

FOR HIS INVALUABLE HELP IN DESIGNING THIS DETAIL SET

COLOR LIST

- A** BLACK (FS37038)
- B** GUNSHIP GRAY (FS36118)
- C** OLIVE DRAB (FS34087)
- D** SILVER

Caracal Models
PO Box 92141
Austin, TX 78709
info@caracalmodels.com
<http://www.caracalmodels.com>

Designed and printed in Ankara, Turkey